

PIPE-LINE MAGNET (LIQUID)

High Strength – Rare-Earth

Data sheet: PLL_TD1
Updated: 09-04-2007



Product Information:



Standard model type PLL.



Standard model type PLL.

DESCRIPTION:

The complete housing is manufactured in stainless steel and is flanged both ends. The powerful permanent magnets are attached to a flanged lid allowing quick, safe access for cleaning.

APPLICATION:

Pipe-line magnet can be fitted to most liquid lines for removing both large and fine ferrous metal contamination. Product flow can be up, down or horizontal. Adaptors can be fitted for standard pipe sizes or fabricated to order.

MAGNETIC STRENGTH:

Available in high strength rare-earth /neodymium range of materials. All these materials are truly permanent magnets and will give many years of maintenance free use.

SELECTION:

To select the correct unit use the model number nearest to the proposed feed pipe diameter and we can do the rest.

INSTALLATION:

Standard size housings are fitted into flow lines with fittings or flanges. Most size of pipe or duct adaptors can be manufactured to suit site conditions. Straight pipe outlet are standard supply for welded installation.

OFFICE ADDRESS: Magnetic Separations Ltd
14 Meadowside Road,
Cheam, Surrey, SM2 7PF, England
REGISTER COMPANY: 1493159

TEL: +44 (0) 20 8642 4413
FAX: +44 (0) 20 8642 9476
E-MAIL: info@magneticseparations.com
WEBSITE: www.magneticseparations.com

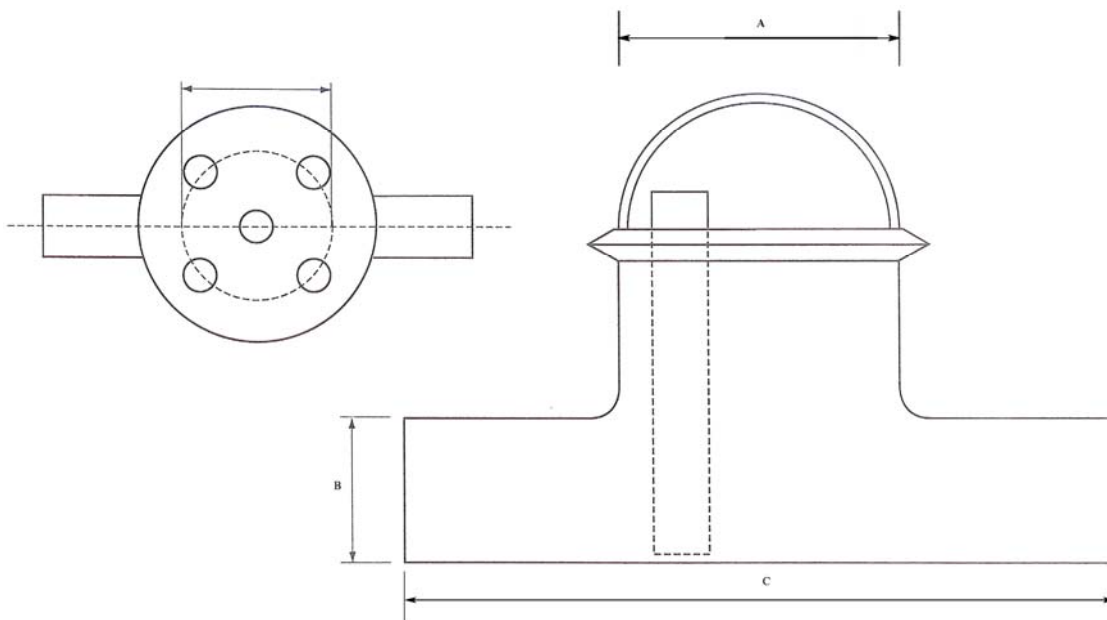
PIPE-LINE MAGNET (LIQUID)

High Strength – Rare-Earth

Data sheet: PLL_TD1
Updated: 09-04-2007



Technical Data:



Model No.	A (mm)	B (mm)	C (mm)	Magnets
PLL/N 50	50	100	370	3
PLL/N 75	75	150	370	5
PLL/N 100	100	150	370	5
PLL/N 125	125	150	370	5
PLL/N 150	150	150	370	5

* "N" is added to specify rear-earth option.

Magnetic Material: Neodymium rare-earth
Material Grade: 304 or 316 Stainless steel
Surface Finish: Polished finish to specification
Applications: Pharmaceutical, food-lines, WEEE, plastic, glass, mineral processing.

- Flanges or adaptors can be manufactured to order based on your specification supplied.
- For custom sizes please send your enquiry.

OFFICE ADDRESS: Magnetic Separations Ltd
14 Meadowside Road,
Cheam, Surrey, SM2 7PF, England
REGISTER COMPANY: 1493159

TEL: +44 (0) 20 8642 4413
FAX: +44 (0) 20 8642 9476
E-MAIL: info@magneticseparations.com
WEBSITE: www.magneticseparations.com